



[Browse Product Range >](#)

Westfield Fasteners Product Specification:

Socket Flat Head Sleeve Nuts

This product guide contains the specification for our range of Socket Flat Head Sleeve Nuts, a series of standard parts available on the website.

Product Description

Flat headed sleeve nuts with an allen or hex socket drive. These are also known as flat head furniture connector nuts or barrel nuts, and are designed to be pushed into a pre drilled hole. The attractive low profile wide diameter head provides a large surface area which clamps the nut tightly against the surface without damaging it.

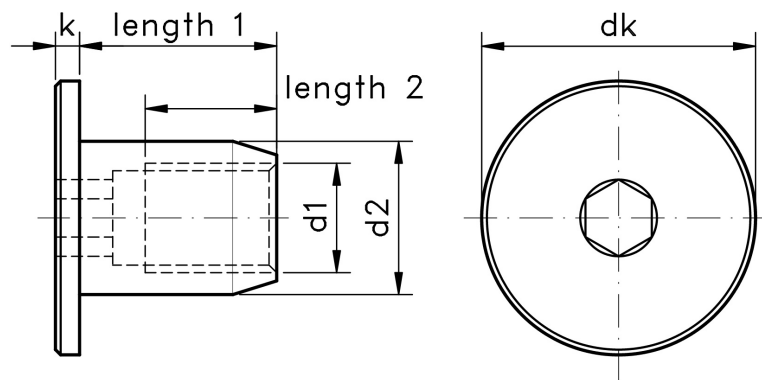


Figure 1: Socket Flat Head Sleeve Nuts

Table 1: Dimensions & Tolerances (mm)

Thread, d1	d2	k	dk	length 1	length 2	Drive Size
M5	9	2.2	15	9	4	4
M6	9	2.2	15	10	5	5
M6	9	2.2	20	15	9	5
M8	12	2.2	20	15	9	8
M10	14	2.2	25	18	12	6
M12	16	2.2	25	18	12	6